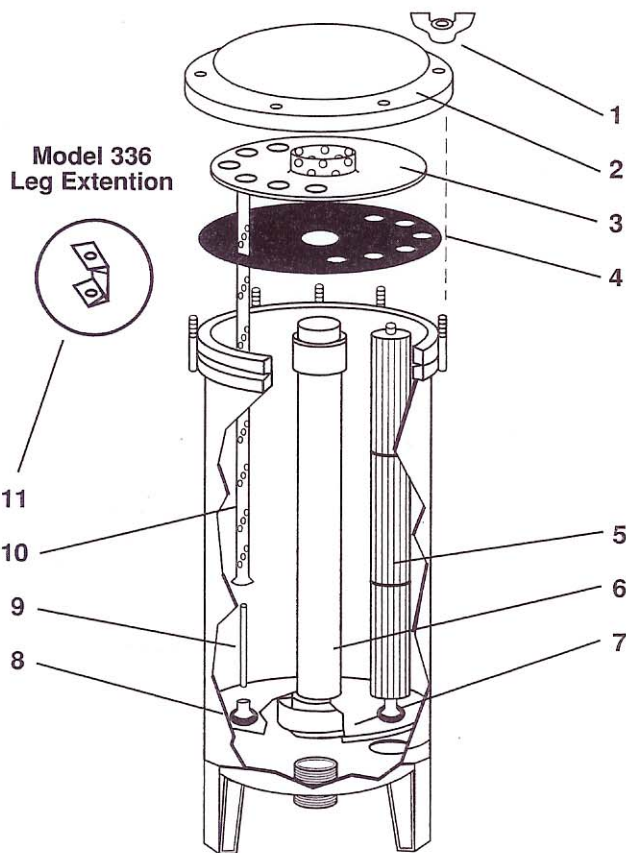


CLUSTER CARTRIDGE FILTERS

Models BF168, BF252, BF336



HARMSCO BETTERFILTER UNIT WITH CARTRIDGE CLUSTER



| Model BF168 | | | |
|-------------|-----|------|----------------------|
| Part No. | No. | Qty. | Description |
| 202 | 1 | 8 | Brass Wing Nut |
| 611 | 2 | 1 | SS Lid |
| 633 | 3 | 1 | SS Top Disc |
| 635 | 4 | 1 | Top Seal |
| ST/6 | 5 | 28 | Harmsco Cartridge |
| 629 | 6 | 1 | Standpipe |
| 637 | 7 | 1 | SS Sub Base Assembly |
| 639 | 8 | 14 | Bottom Seal |
| 625 | 9 | 14 | Centering Rod |
| 621 | 10 | 14 | Cartridge Lifter |

| Model BF252 | | | |
|-------------|-----|------|----------------------|
| Part No. | No. | Qty. | Description |
| 202 | 1 | 8 | Brass Wing Nut |
| 611 | 2 | 1 | SS Lid |
| 633 | 3 | 1 | SS Top Disc |
| 635 | 4 | 1 | Top Seal |
| ST/6 | 5 | 42 | Harmsco Cartridge |
| 630 | 6 | 1 | Standpipe |
| 637 | 7 | 1 | SS Sub Base Assembly |
| 639 | 8 | 14 | Bottom Seal |
| 625 | 9 | 14 | Centering Rod |
| 622 | 10 | 14 | Cartridge Lifter |

| Model BF336 | | | |
|-------------|-----|------|--------------------------|
| Part No. | No. | Qty. | Description |
| 202 | 1 | 8 | Brass Wing Nut |
| 611 | 2 | 1 | SS Lid |
| 634 | 3 | 1 | SS Top Disc |
| 636 | 4 | 1 | Top Seal |
| ST/6 | 5 | 56 | Harmsco Cartridge |
| 673 | 6 | 1 | Standpipe |
| 637 | 7 | 1 | SS Sub Base Assembly |
| 639 | 8 | 14 | Bottom Seal |
| 625 | 9 | 14 | Centering Rod |
| 623 | 10 | 14 | Cartridge Lifter |
| 525 | 11 | 1 | Leg Extension (Set of 3) |